



ASSEMBLY INSTRUCTION

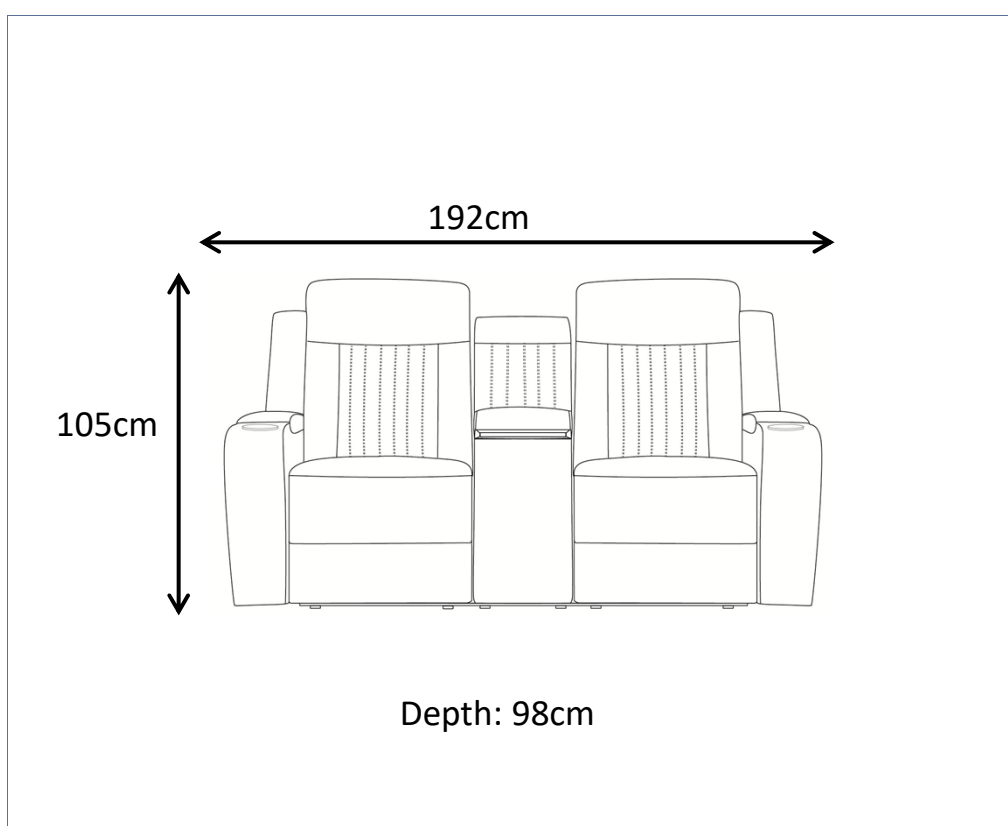
HERCULES 2 SEATER

ITEM CODE 66096

Imported by Amart Furniture Pty Ltd, Qld, Brisbane Australia.

For any assistance with assembly or for missing parts please phone

Amart Furniture, Customer Service Free call 1800 351 084



Imported by Amart Furniture Pty Ltd, Qld, Brisbane Australia.



For any assistance with assembly or for missing parts please phone

Amart Furniture, Customer Service Free call 1800 351 084

PRE-ASSEMBLY PREPARATION

Before you start:

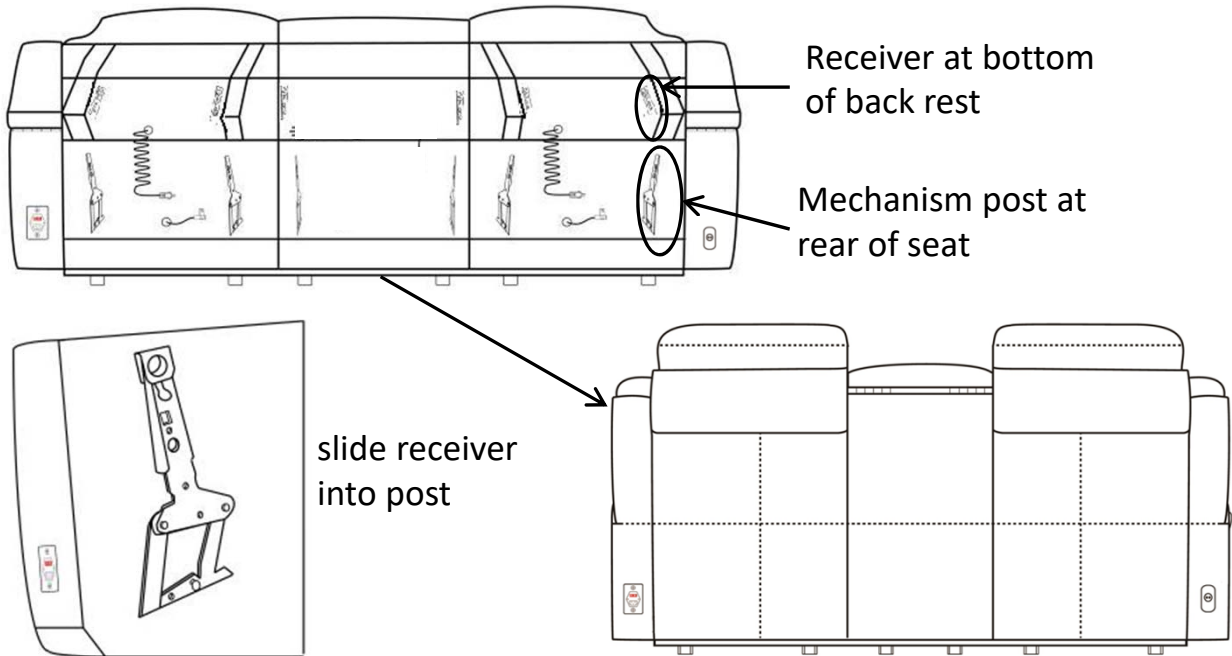
1. Choose a clean, level, spacious assembly area. Avoid hard surfaces that may damage the product
2. Take care when lifting. Product should be assembled as near as possible to the point of use
3. Ensure that you have all required contents for complete assembly
4. Always read the assembly instructions carefully before beginning assembly.
5. Keep all hardware parts and packaging out of reach of small children.
6. Do not over tighten the screws and bolts as this may damage the threads

	
ALLOW 15MINUTES	PEOPLE REQUIRED
ADDITIONAL TOOLS REQUIRED	

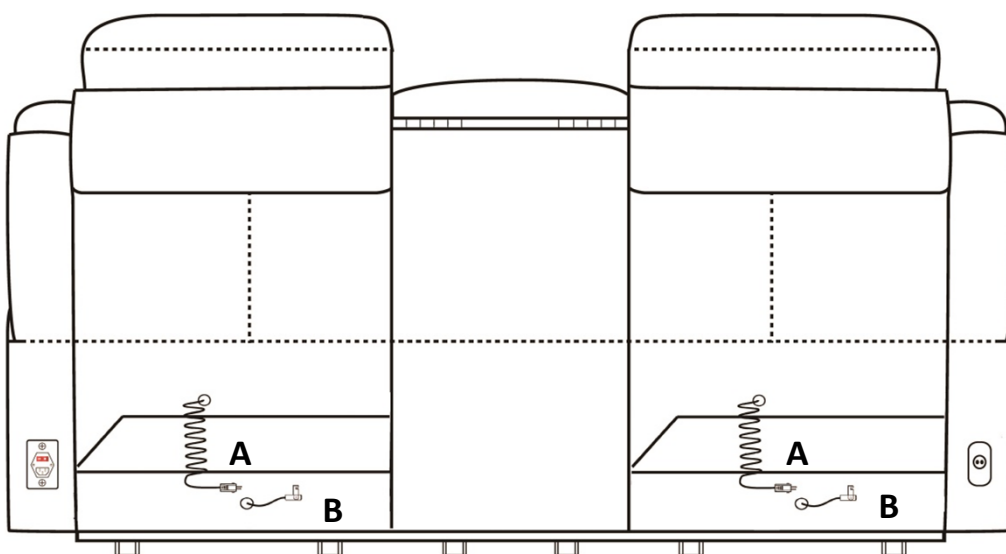
WARNING

Do Not allow children to play on this mechanised furniture or operate the mechanism. Leg rest folds down on closing so that a child could possibly be injured. Always leave in an upright and closed position. Keep hands and feet clear of mechanism. Only the occupant should operate it.

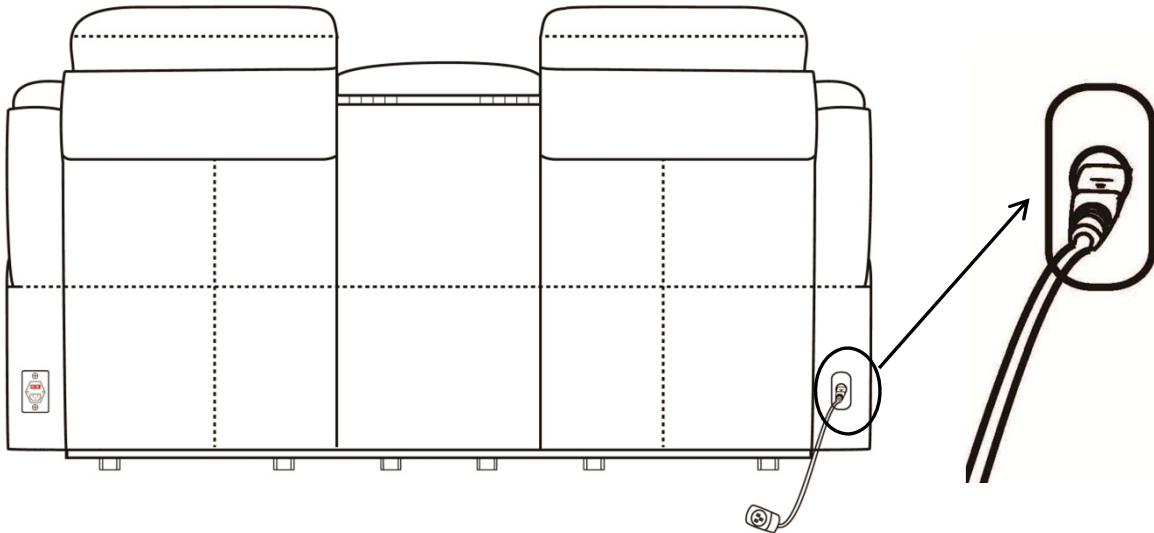
Step1: Keep back rest in upright position, then slide receivers into steel mechanism posts at the seat of furniture, and press both sides of the back firmly into place to ensure fully locked.



Step2: Connect the cords "A" and "B" on both ends of 2-seater to connect power for recliners. One cord comes from the seater back rest and the other from the seater seat.

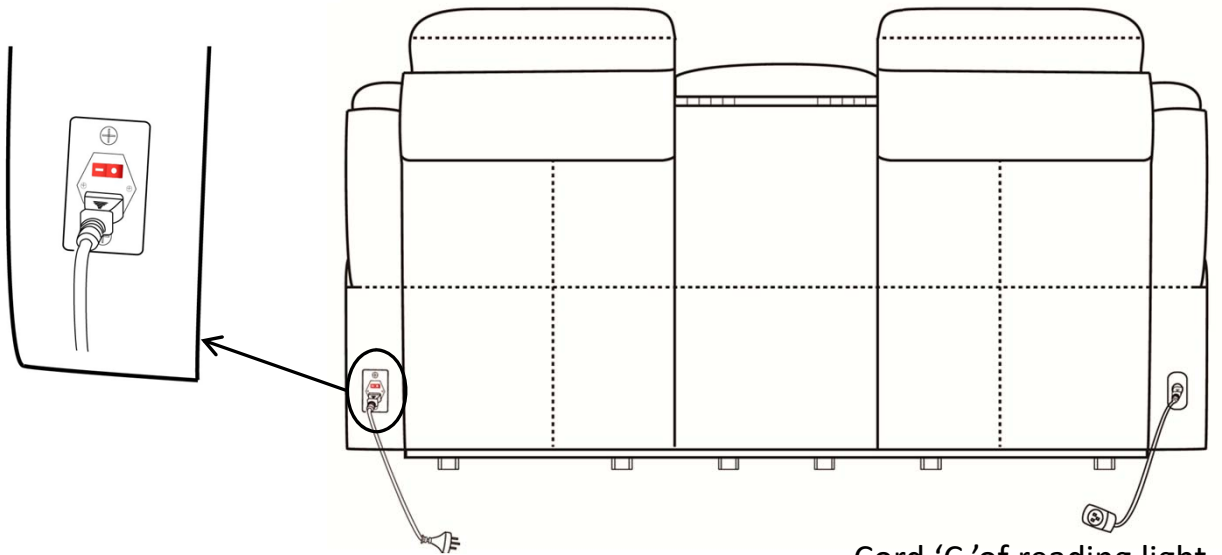


Step3: Plug the cord 'C' with a power plug on the end of it, into socket at back panel of arm.



Cord 'C' of reading light plugged into wall socket

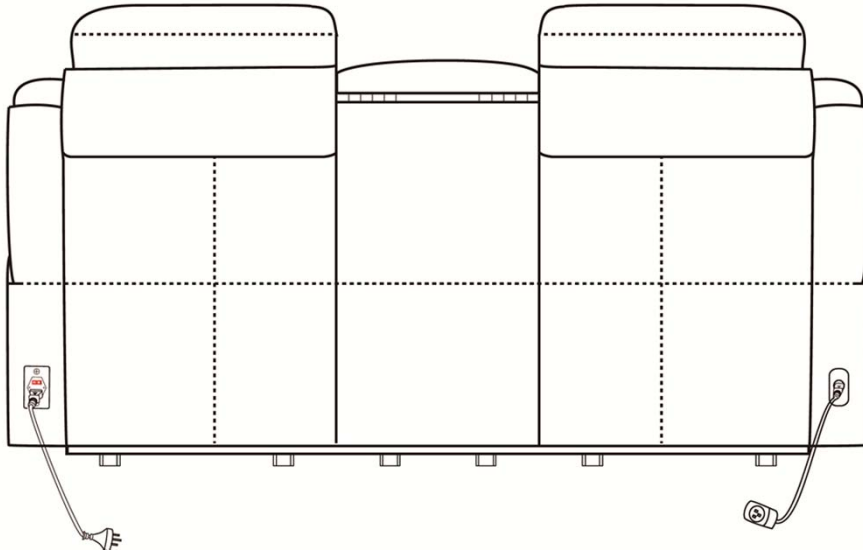
Step4: Plug electric cord into socket at back panel of arm.



Electric cord

Cord 'C' of reading light plugged into wall socket

ASSEMBLY IS COMPLETE



SAFETY NOTE:

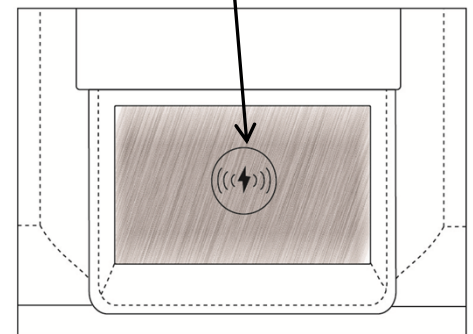
PLEASE ENSURE THAT ALL ELECTRICAL CORDS AND CABLES ARE CLEAR OF THE FRAME AND MECHANISM. A FAILURE TO DO SO MAY SEVER YOUR POWER CORD RESULTING IN SERIOUS INJURY OR DEATH.

Instruction On Wireless Charging Pad At Console

- Only one cell phone can be charged at a time.
- Here are the model numbers of applicable cell phone.

Brand	Model Number	Power (for reference)	Brand	Model Number	Power (for reference)	
Apple	iPhone 8	7.5W	MOTOROLA	Droid Turbo	5W	
	iPhone 8 Plus			Droid Turbo2		
	iPhone X			Droid 5		
	iPhone XS			Moto Maxx		
	iPhone XS MAX			Ultra M		
	iPhone XR			Moto X Force		
ASUS	PadFone S (PF500KL)	5W		Moto Z (wireless charging modular)		10W
au/KDDI	TORQUE G01	5W	M.T.T.	MASTER	5W	
	TORQUE G03		NOKIA	Lumia 720	5W	
	URBANO L03 (KYY23MQA)			Lumia 735		
BlackBerry	Q20	Lumia 810				
	Z30	Lumia 820				
	Classic SQC100-3	Lumia 822 (wireless charging back cover)				
	Classic SQC100-5	Lumia 830				
	PRIV	Lumia 920				
CAT	S50 Rugged Smartphone	5W		Lumia 920T		
	S50c Rugged Smartphone			Lumia 925 (wireless charging back cover)		
Datalogic	Joya Touch	5W		Lumia 928		
	Joya Touch A6			Lumia 929		
GIONEE	M7 Plus	10W		Lumia 930		
	GOOGLE			NEXUS 4		5W
NEXUS 5		Lumia 1520				
NEXUS 6		Lumia Icon				
Pixel 3		8 Sirocco				
Pixel 3XL		NTT Docomo		SH-13C		
HTC			PH98100	F-03D		
			PG32100	SH-04D		
			PJ53100	SH-05D		
			PL83200	SH-02D		
			PM23100	N-01D		
	HUAWEI		Mate RS (Porsche design)	10W	F-09D	
Mate 20 Pro			15W	SH-07D		
Mate 20 RS (Porsche design)			15W	SH-09D		
KYOCERA	Brigadier		5W	P-06D		
	DuraForce	SH-04E				
	DuraForce PRO	SH-06E				
	DuraForce PRO 2	Palm		Palm Pre (wireless charging back cover)	5W	
TORQUE	Razer		Razer Phone 2	15W		
LG	G2 (VS980 , Verizon)	5W	RICHTEK	TORQUE Mobile Phone	5W	
	G3		SAMSUNG	Note 5	10W	
	G6			Note 7		
	G6+			Note FE		
	G7			Note 8		
	G7 ThinQ			Note 9		
	G7+ ThinQ			S6		
	V30			S6 Edge+		
	V30+			S6 Active		
	V35			S7		
	V40 ThinQ			S7 Edge		
	LG Lucid2 (VS870)			S7 Active		
	LG Optimus F5 (AS870)			S8		
	Optimus Vu 3			S8+		
	Spectrum 2			S8 Active		
	Optimus G Pro			S9		
	Optimus Vu II			S9+		
	Optimus LTE 2			W2017 (SM-W2017)		
	Microsoft			Lumia 950		5W
Lumia 950 XL		Galaxy S Lite (SM-G8750)				
			SM-G9298			

Wireless Charging Point



Brand	Model Number	Power (for reference)
SHARP	SH-02D	5W
	SH-04D	
	SH-07D	
	SH-13C	
SH90B		
SKY	IM-100	5W
Smartisan	R1	10W
SONY	Xperia Z3v (D6708)	7.5W
	Xperia XZ2	9W
	Xperia XZ2 Premium	
	Xperia XZ3	
Xiaomi	MIX 2S	7.5W
	MIX 3	10W
YOTA	YOTA Phone2	5W
ZTE	T84	5W
	T85	
	V975	
	Axon 9 Pro	10W

READ THESE INSTRUCTIONS THOROUGHLY BEFORE USE:

DANGER: TO REDUCE THE RISK OF ELECTRIC SHOCK:

Always unplug from electric outlet before cleaning.

WARNING: RISK OF INJURY

Keep children away from extended footrest and any moving parts.

CAUTION: Do not allow children to play on this electric recliner or operate the powered mechanism. The leg rest folds when closing and could possibly cause injury to a child. Always leave the recliner in an upright and closed position when not in use. Keep hands and feet clear of mechanism. Only the occupant should operate it.

POWER CORD SAFETY

WARNING: Unplug and remove power cord from wall when not in use and store out of reach of children.

Take care when moving recliner that wall and transformer cords are not under the base or they may get damaged.

- NEVER OPERATE ELECTRIC RECLINER IF IT HAS A DAMAGED CORD OR PLUG.

WARNING: TO REDUCE RISK OF BURNS, FIRE, ELECTRIC SHOCK OR PERSONAL INJURY TO PERSONS:

- Use only for its intended purpose
- Never press or activate control switch if you are not seated in recliner
- Only the occupant should activate the control switch
- Never operate with more than one person occupying seat
- Never sit or stand on the footrest

CARE AND MAINTENANCE

FABRIC CARE

REGULAR CARE: PROTECT FROM DIRECT SUNLIGHT.
VACUUM REGULARLY USING LOW SUCTION.
ROTATE REVERSIBLE CUSHIONS REGULARLY.

CLEANING:

DO NOT REMOVE CUSHION COVERS FOR SEPARATE
CLEANING EVEN THOUGH THEY HAVE ZIPPERS.

DO NOT WASH

DO NOT DRY CLEAN

DO NOT SHAMPOO CLEAN

CLEAN WITH HOT-WATER EXTRACTION MACHINE.

(HOT) PROFESSIONAL CLEANING RECOMMENDED

DO NOT USE DISHWASHING OR LAUNDRY

DETERGENTS

USE ONLY UPHOLSTERY DETERGENTS

DO NOT WET FILLING

DRY IN SHADE AWAY FROM DIRECT HEAT AND

SUNLIGHT

ALLOW TO DRY THOROUGHLY BEFORE RE-USE

SPOT CLEANING:

DO NOT RUB

DO NOT SPOT CLEAN WITH ANY SOLVENT.

TREAT SPILLS AND STAINS AS SOON AS POSSIBLE.

GENTLY SCRAPE ANY SOIL OR MOP ANY LIQUID
FROM THE SURFACE OF THE FABRIC.

APPLY PROPRIETARY CLEANING AGENTS STRICTLY
ACCORDING TO INSTRUCTIONS TO REMOVE THE
RESIDUE OF THE SPILL.

DO NOT SATURATE THE FABRIC OR INTERIOR WITH
WATER OR OTHER CLEANING LIQUIDS.

WARNING: APPLY ONLY WATER-BASED SOIL RESIST
(FABRIC PROTECTION) TREATMENTS. DO NOT USE
AEROSOL PRODUCTS.